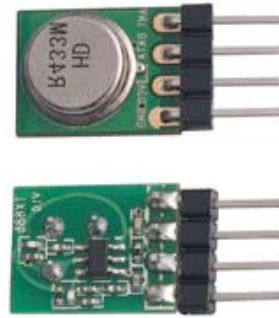


DRA886TX
LOW POWER ASK TRANSMITTER MODULE

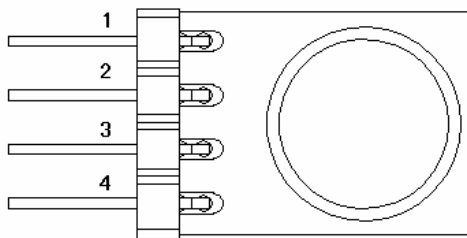
V1.10

DESCRIPTION

DRA886TX is a type of low cost ASK transmitter module which is based on RFIC which minimizes the board size and improve the stability against interferences. It can be used in wireless door opener, robot control, security alarm and related applications.



PIN FUNCTIONS



PIN	Name	Description
1	ANT	Antenna port
2	DATA	Data input
3	VCC	Power pin
4	GND	Ground(0V)

Table 1: DRA886TX Pin Functions

ELECTRICAL SPECIFICATIONS

Symbol	Parameter (condition)	Min.	Typ.	Max.	Units
VCC	Supply Voltage	1.5		6	V
Freq	Frequency range		433.92		MHz
Fo	Frequency offset		±75		KHz
Pout	Output power @ 3V		2		dBm
	Output power @ 5V		5		
DR_ASK	ASK data rate	0.2	5	9.6	kbps
Temp	Operating temperature range	-20	25	70	°C
IDD_T	Current in Tx mode @ 3V		12		mA
IDD_S	Current in sleep mode		1		uA
ZANT	Antenna Impedance		50		Ohm

Table 2: DRA886 Electrical Specifications

MECHANICAL DATA

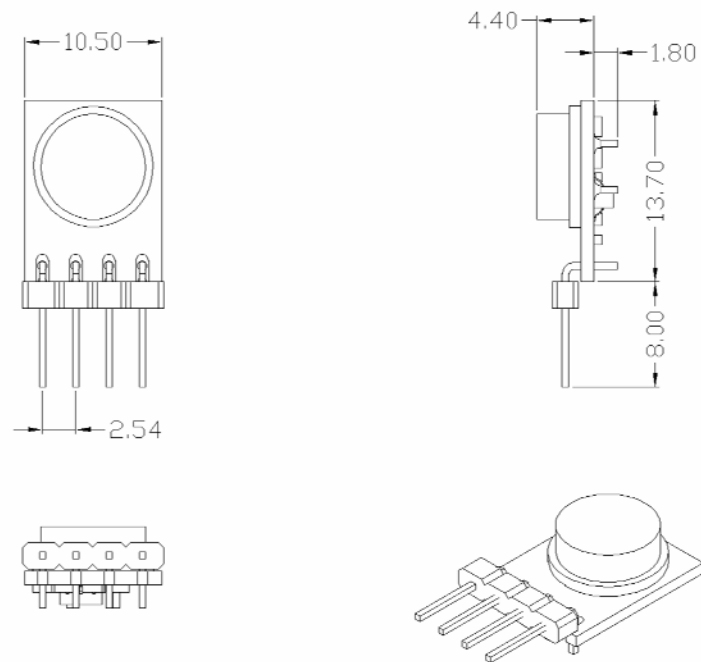


Figure 1: DRA886TX Mechanical Dimension

<p>Dorji Applied Technologies A division of <i>Dorji Industrial Group Co., Ltd</i></p> <p>Add.: Xinchenuayuan 2, Dalanganlu, Longhua, Baoan district, Shenzhen, China 518109</p> <p>Tel: 0086-755-28156122 Fax.: 0086-755-28156133 Email: sales@dorji.com Web: http://www.dorji.com</p>	<p>Dorji Industrial Group Co., Ltd reserves the right to make corrections, modifications, improvements and other changes to its products and services at any time and to discontinue any product or service without notice. Customers are expected to visit websites for getting newest product information before placing orders.</p> <p>These products are not designed for use in life support appliances, devices or other products where malfunction of these products might result in personal injury. Customers using these products in such applications do so at their own risk and agree to fully indemnify Dorji Industrial Group for any damages resulting from improper use.</p>
---	---